

## Small 110V Plug Lockout

Catalog #: 65674

www.bradyid.com

### Design

- Plug lockouts prevent electrical plugs from being inserted into a wall outlet, for use when a plug will not remain under the exclusive control of the person performing service or maintenance
- Made of rugged polypropylene and supplied with Danger labels

### Material

- Housings made of Polypropylene
- Color: Outer Housing – Red (PMS 1805C)
- UL Rating: UL 94 - HB

### Temperature Range

- Polypropylene Housings: : -20° to 80°C (0° to 175°F)

### Chemical Resistance

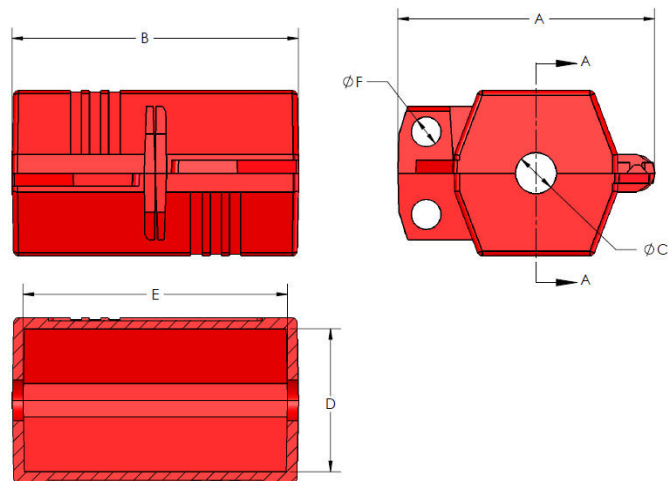
All approved chemicals listed are based on the manufactures specified chemical resistance chart for plastic material only. All other materials in the device are made of steel.

### Dimensions

"A"	–	3.150" [80.0mm]
"B"	–	3.500" [88.9mm]
"C"	–	0.500" [12.7mm]
"D"	–	1.700" [43.2mm]
"E"	–	3.200" [81.3mm]
"F"	–	0.364" [9.2mm]



Chemical	°C	Chemical	°C
Acetone	25	Petroleum	25
Acetone	60	Lubricating oil: HD engine oils, hydraulic oils, transformer oils	< 120
Lubrication oil: gear oil	< 120		
Fuel, engine: M15 mixture (15% methanol)	70	Water (including seawater)	25
Methanol	25	Water (including seawater), chlorinated (<0,5 mg/l)	80



### Warranty

**Note:** All values shown are averages and should not be used for specification purposes. Test data and test results contained in this document are for general information only and shall not be relied upon by Brady customers for designs and specifications, or be relied on as meeting specified performance criteria. Customers desiring to develop specifications or performance criteria for specific product applications should contact Brady for further information.

Product compliance information is based upon information provided by suppliers of the raw materials used by Brady to manufacture this product or based on results of testing using recognized analytical methods performed by a third party, independent laboratory. As such, Brady makes no independent representations or warranties, expressed or implied, and assumes no liability in connection with the use of this information.

**MSDS Information**

**1. HAZARDS IDENTIFICATION**

This product is NOT DANGEROUS and contains no hazardous ingredients.

**2. FIRST AID MEASURES/HEALTH INFORMATION /PROTECTION**

Eye Contact:	Not applicable, product is inert
Ingestion:	Not applicable, first aid is not normally required.
Inhalation:	Not applicable
Skin Contact:	Not applicable, product is inert, except if product is melted use gloves. For hot melted product, immerse in or flush affected area with water to dissipate heat, then obtain medical attention.
Exposure Limits:	None
Threshold Limits	None
Personal Protection:	None (ambient conditions)
NPCA-HMIS Rating:	Health: 0; Flammability: 1; Reactivity: 0
NFPA-704 Rating:	Health: 0; Flammability: 1; Reactivity: 0

**3. FIRE-FIGHTING MEASURES**

<ul style="list-style-type: none"> <li>Be cautious of hot melted Nylon</li> </ul>	<ul style="list-style-type: none"> <li>Use water spray to cool fire, exposed surfaces, and to protect personnel</li> </ul>
<ul style="list-style-type: none"> <li>Isolate product from fire</li> </ul>	<ul style="list-style-type: none"> <li>Respiratory and eye protection is required for firefighting personnel</li> </ul>
<ul style="list-style-type: none"> <li>Extinguish fire with water spray</li> </ul>	<ul style="list-style-type: none"> <li>Decomposition products under fire conditions: Oxygen-lean conditions may cause monoxide and irritating smoke</li> </ul>

**4. ACCIDENTAL RELEASE MEASURES**

Land	Recover material and place in suitable container for reuse or for disposal in conformance with local regulations.
Water	Recover material and place in suitable container for reuse or for disposal in conformance with local regulations.

**5. HANDLING AND STORAGE**

5.1 Handling	5.2 Storage
No precautions noted-see local regulation if needed	Storage pressure: Atmospheric
	Storage temperature: Ambient, no direct sunlight

**6. EXPOSURE CONTROLS/PERSONAL PROTECTION**

6.1 Exposure limit values	6.2 Exposure Controls
None	6.2.1 Occupational Exposure Controls
	6.2.1.1 Respiratory Protection: Not applicable
	6.2.1.2 Hand Protection: Not applicable
	6.2.1.3 Eye Protection: Not applicable
	6.2.1.4 Skin Protection: Not applicable
	6.2.2 Environmental Exposure Controls: No data available

**7. PHYSICAL AND CHEMICAL PROPERTIES**

General Information	
Other Information	

**8. STABILITY AND REACTIVITY**

8.1 Conditions to Avoid
Higher Temperatures and direct sunlight (chemical resistance is excellent)
Highly stable, but temperatures over 480 F may cause degradation
8.2 Materials to Avoid
No data available
8.3 Hazardous Decomposition Products
Under fire and oxygen-lean conditions may cause monoxide and irritating smoke

**MSDS Information (continued)**

**9. ECOLOGICAL INFORMATION**

9.1 Ecotoxicity	No data available
9.2 Mobility	No data available
9.3 Persistence and Degradability	No data available
9.4 Bioaccumulative Potential	No data available
9.5 Other Adverse Effects	No data available

**10. DISPOSAL CONSIDERATIONS**

The material in this product is completely Recyclable. Dispose of all materials in accordance with an applicable federal, state, and local law.

**11. TRANSPORT INFORMATION**

No data available

**12. REGULATORY INFORMATION**

This product has been tested and validated to the Regulatory Requirements listed below:

- |  |  |
|--|--|
| <ul style="list-style-type: none"> <li>• OSHA 29 CFR 1910.147 ©(4)(ii)(A)(1)/(c)(5)(ii)(C)(1)</li> </ul> | <ul style="list-style-type: none"> <li>• ANSI Standard Z244</li> </ul> |
|--|--|

**13. OTHER INFORMATION**

No data available

Sollten Sie noch Fragen haben,  
kontaktieren Sie uns bitte.

<b>Leymann</b>	Tel. 0511-7805-0
Punktum GmbH	Fax 0511-7805-206
Lehmdamm 17	punktum@leymann.de
30853 Langenhagen	www.leymann.de



Wir helfen Ihnen gerne weiter.